



**DOWNLOAD THE LATEST  
INSTALL MANUALS AT  
[www.bddiesel.com](http://www.bddiesel.com)**



# **BD FORD 6.0L PERFORMANCE EXHAUST UP-PIPES**




## **Installation Instructions**

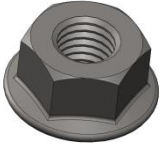



<b>Application List</b>		
<b>Ford Powerstroke 2003-2004.5 For vehicles WITH EGR</b>	<b>6.0L</b>	<b>1043917</b>
<b>Ford Powerstroke 2004.5-07 For vehicles WITH EGR</b>	<b>6.0L</b>	<b>1043918</b>




**PLEASE READ ALL INSTRUCTIONS BEFORE INSTALLATION**

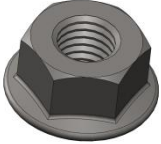



**KIT CONTENTS:**

Please check to make sure that you have all the parts listed in this kit before you start the disassembly of your truck.

<b>1043917 Kit Contents</b>		
<b>1403124</b>	<b>1452225</b>	<b>1403126</b>
		
<b><i>Y Casting Ductile Iron</i></b>	<b><i>Clamp, V- Band</i></b>	<b><i>Driver side Up pipe</i></b>
<b>Qty: 1</b>	<b>Qty: 2</b>	<b>Qty: 1</b>

<b>1900014</b>	<b>1900013</b>	<b>1900205</b>	<b>1403132</b>
			
<b><i>Flange nut</i></b>	<b><i>Flange bolt 60 mm Long</i></b>	<b><i>EGR Port Gasket</i></b>	<b><i>Passenger Side up-pipe</i></b>
<b>Qty: 4</b>	<b>Qty: 4</b>	<b>Qty: 1</b>	<b>Qty: 1</b>

<b>1043918 Kit Contents</b>		
<b>1403124</b>	<b>1452225</b>	<b>1403126</b>
		
<b><i>Y Casting Ductile Iron</i></b>	<b><i>Clamp, V- Band</i></b>	<b><i>Driver side Up pipe</i></b>
<b>Qty: 1</b>	<b>Qty: 2</b>	<b>Qty: 1</b>

<b>1900014</b>	<b>1900013</b>	<b>1900205</b>	<b>1403131</b>
			
<b><i>Flange nut</i></b>	<b><i>Flange bolt 60 mm Long</i></b>	<b><i>EGR Port Gasket</i></b>	<b><i>Passenger Side up-pipe</i></b>
<b>Qty: 4</b>	<b>Qty: 4</b>	<b>Qty: 1</b>	<b>Qty: 1</b>

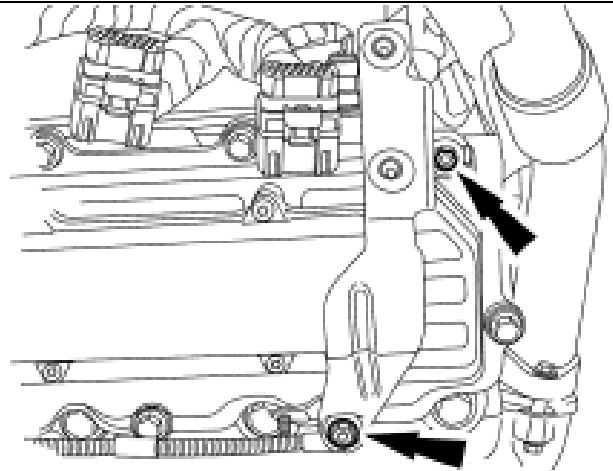
## Factory Replacement Parts (Not Included)

Description	Part #
Ford 6.0L Turbo Inlet Clamp	Ford Part # F81Z8287EA
EGR Cooler V-band Clamp	Ford Part # 3C3Z-8287-CB
Heat Shield Update for 03-04 models	Ford Part # 5C3Z-9F460-A 2x M6x1.0 12mm Bolts 1x M10x1.5 16mm Bolt

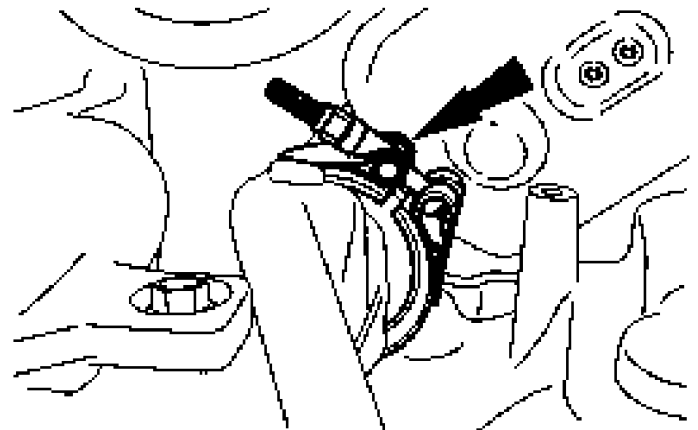
## Removal

1. Position vehicle on a hoist; chock wheels if necessary to prevent vehicle from rolling. Disconnect the Negative terminals on both batteries.
2. Remove the turbocharger assembly. Please follow manufacturer's instructions.
3. Remove the fuel injector control module. Please follow manufacturer's instructions.

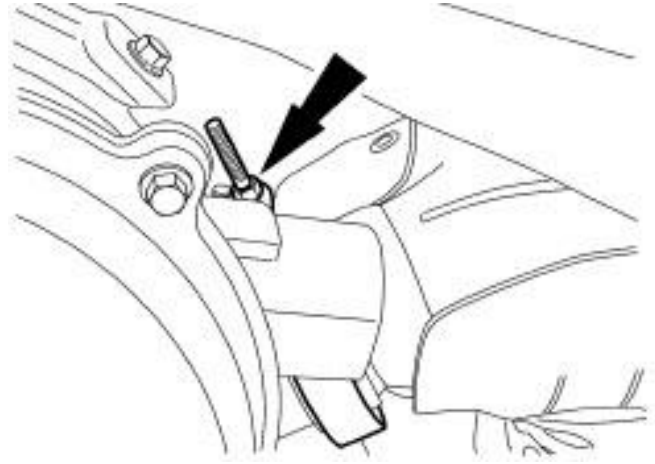
4. Remove the retaining nuts and FICM bracket from driver side valve cover.



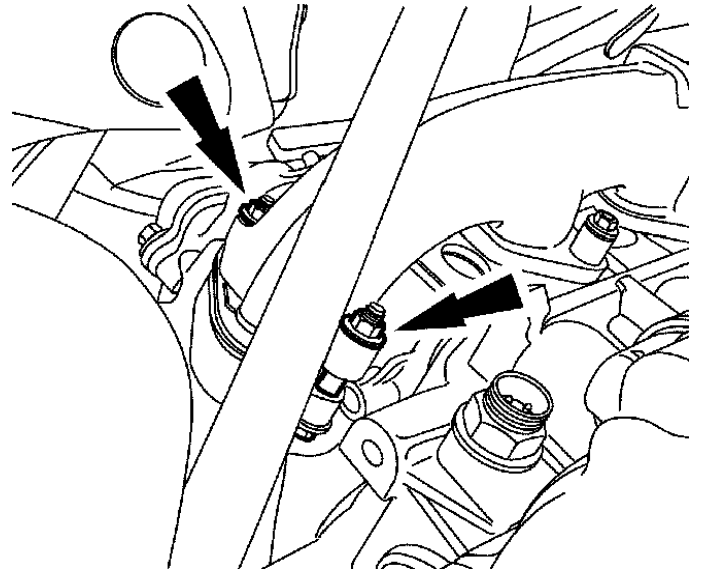
5. Remove the EGR inlet V-band clamp. Keep this clamp for reassembly.



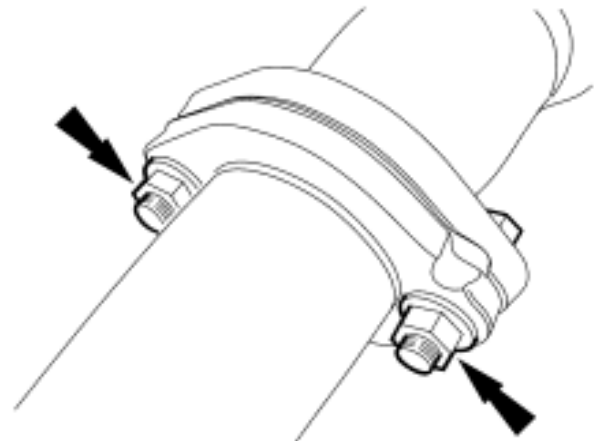
6. Remove the turbocharger inlet Y-pipe-to exhaust manifold nuts.



7. Remove both manifold to up-pipe bolts.



8. Position the turbocharger inlet Y-pipe to gain access to the turbocharger inlet Y-pipe joint. Remove the bolts, separate the turbocharger inlet Y pipe joint and remove the gasket. Remove the two parts of the turbocharger inlet Y-pipe.



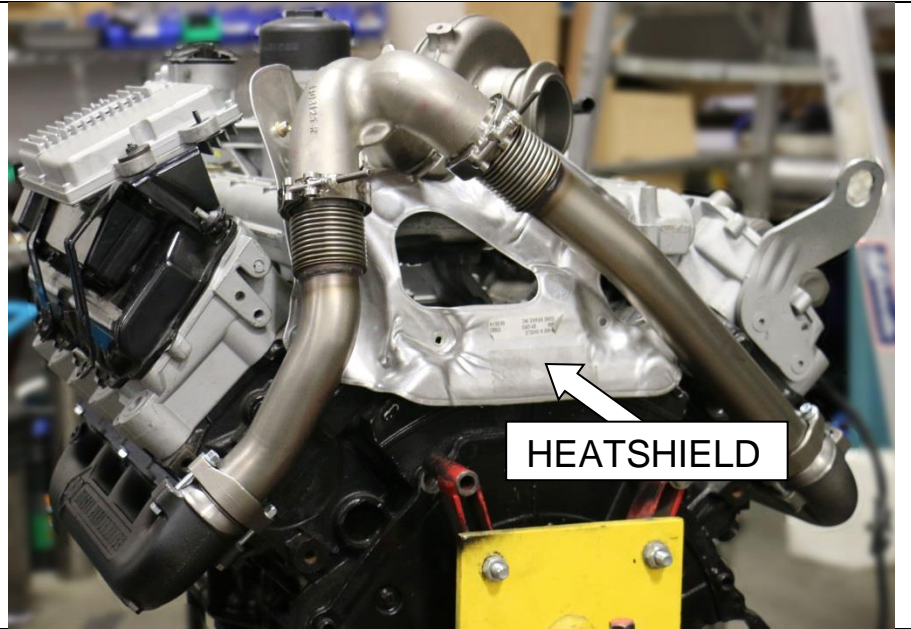
**NOTE:** These bolts may be easier to access if the inner fender liner is removed.

## Installation

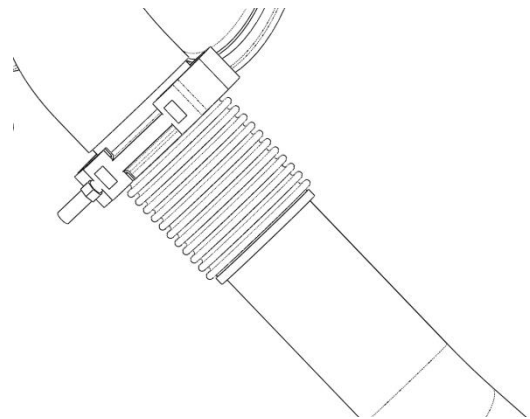
### Install Notes:

- ◆ When installing the turbo inlet Y-pipe into the vehicle, do not bend or twist the flex bellows.
- ◆ Only tighten the turbocharger inlet Y-pipe fastener with hand tools.

1. Optional, For 2003-2004 vehicles you may install a new OEM heat shield (not supplied). Ford part number 5C3Z-9F460-A. This will require two M6x1.0 12mm and one M10x1.5 16mm bolts.

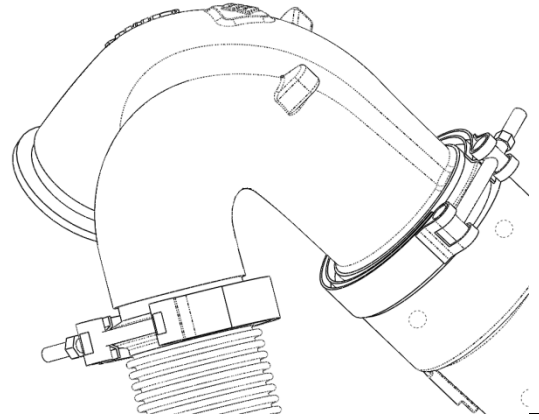


2. Assemble the BD passenger side up-pipe 1403127 onto the BD Y-collector 1403124 using the supplied V-clamp 1452225. Leave loose to allow movement.



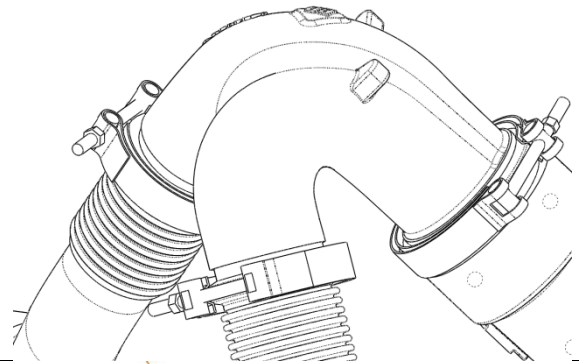
3. Maneuver the pipe assembly in to the vehicle and place the Y-collector in to the turbo inlet and reinstall OEM clamp.

Leave loose to allow movement.

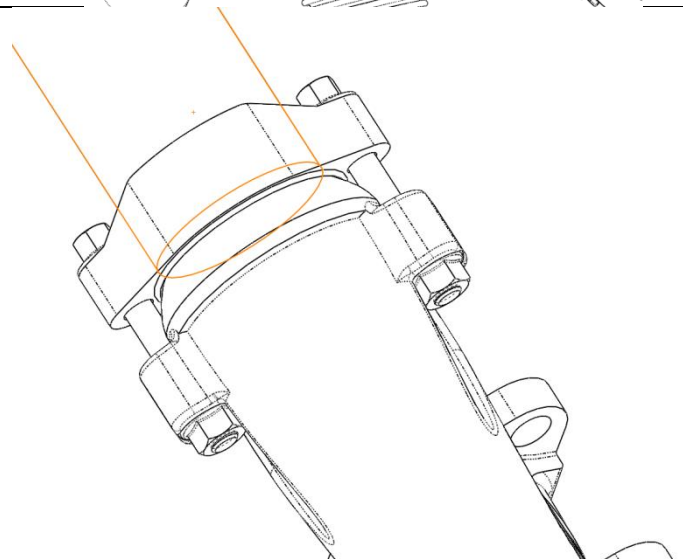


4. Install driver side up-pipe 1403126 to the Y collector 1403124 using supplied V clamp 1452225.

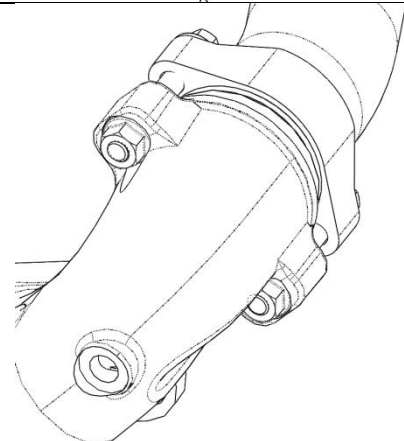
Leave loose to allow movement.



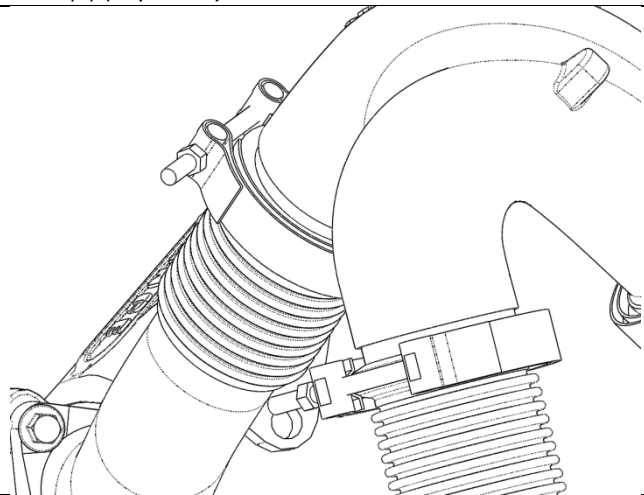
5. Connect the passenger side up-pipe to the passenger side manifold using supplied bolt 1900013 and nut 1900014. Tighten bolts to 27Nm (20 lb-ft).



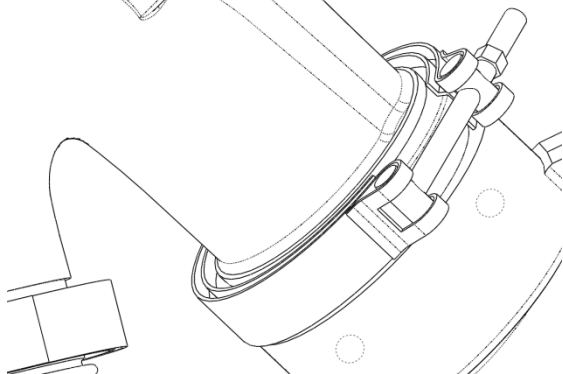
6. Connect the driver side up-pipe 1403126 to the driver side manifold using supplied bolt 1900013 and nut 1900014. Tighten bolts to 27 Nm (20 lb-ft).



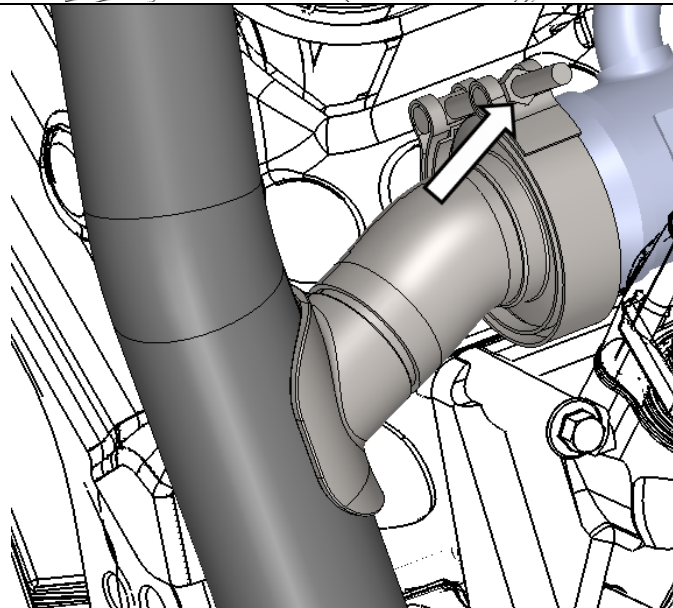
7. Tighten both driver and passenger side up-pipe V-band clamps (1452225) to Y-collector using socket. Torque to 9 Nm (80 lb-in).



8. Tighten the v-band clamp (F81Z8287EA) to Y-collector to turbine housing using 7/16 socket). Torque to 12 Nm (108lb-in).



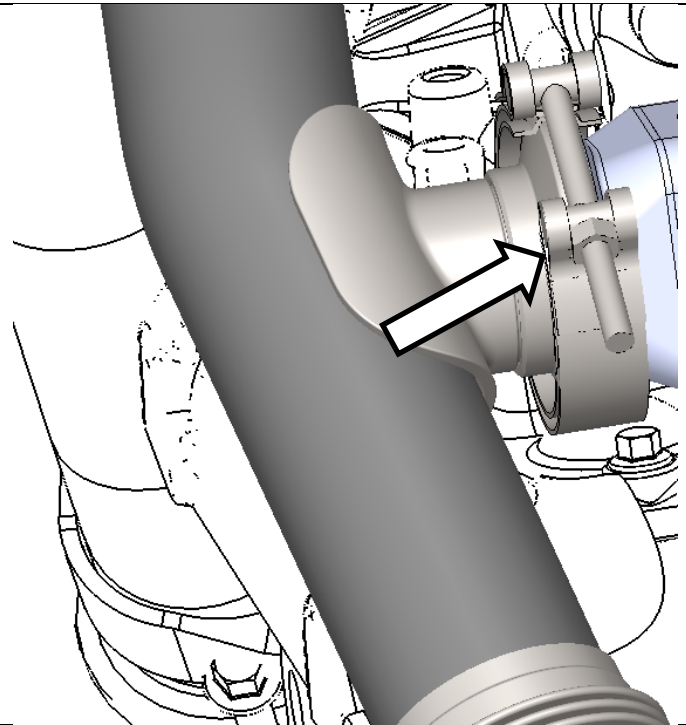
9. Fr EGR Equipped vehicle:  
Align the EGR cooler flange and EGR port gasket 1900205 with the 1403132 up pipe flange and reinstall the original EGR cooler v band clamp (3C3Z-8287-CB) and tighten using 11 mm wrench Torque to 6 Nm (53lb-in).



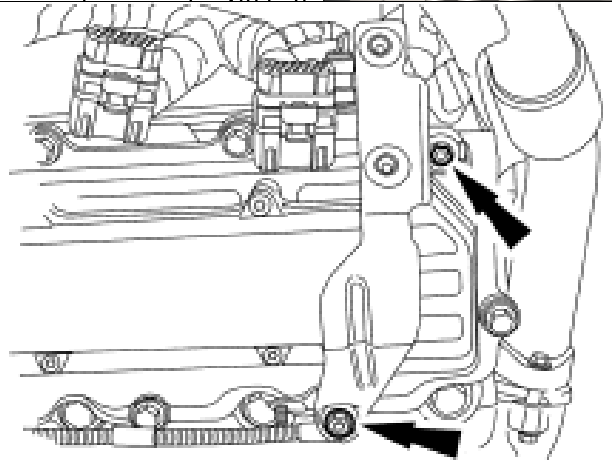


**10. For EGR Equipped Vehicles  
2004.5-2007:**

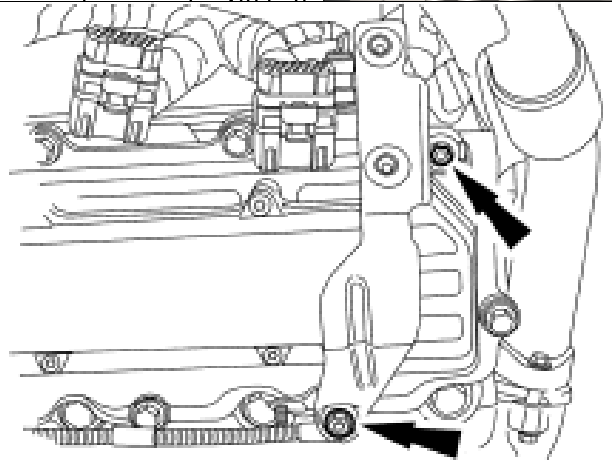
Align the EGR cooler flange and EGR port gasket 1900205 with the 1403131 up pipe flange and reinstall the original EGR cooler v band clamp (3C3Z-8287-CB) and tighten using 11 mm wrench Torque to 6 Nm (53lb-in).



**11. Reinstall (Follow Instructions)** FICM (Follow OE)



**12. Reinstall (Follow Instructions)** Turbo (Follow OE)



**13. Start the engine and check the system for leaks. Installation is complete.**